

BE MORE CHILL
DECK & WALLS
Mainstage Theatre

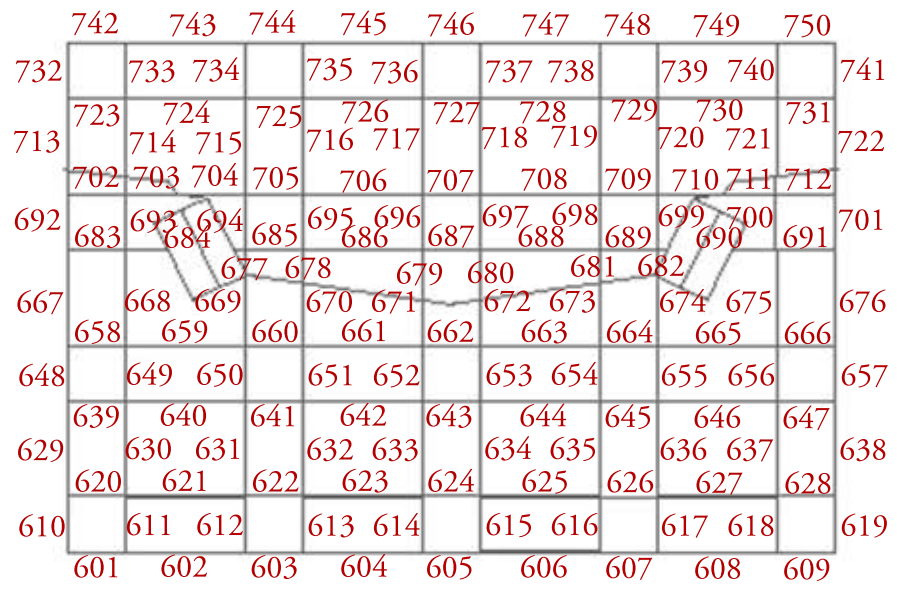
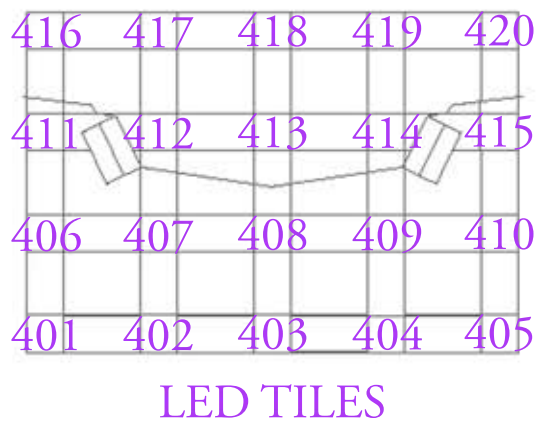
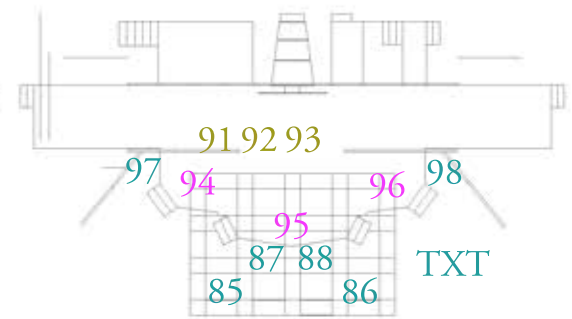
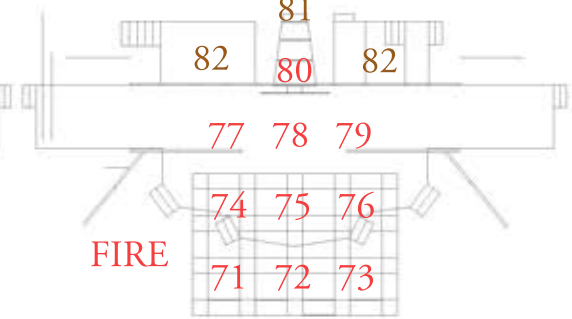
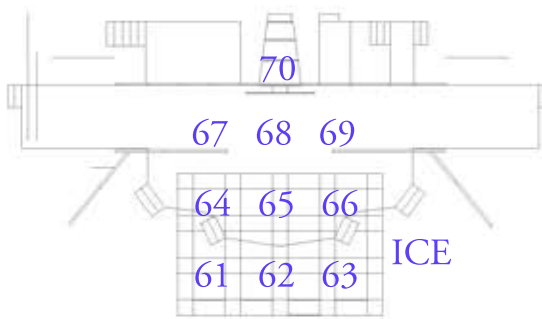
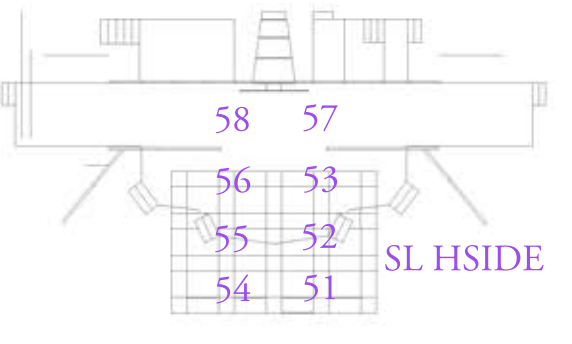
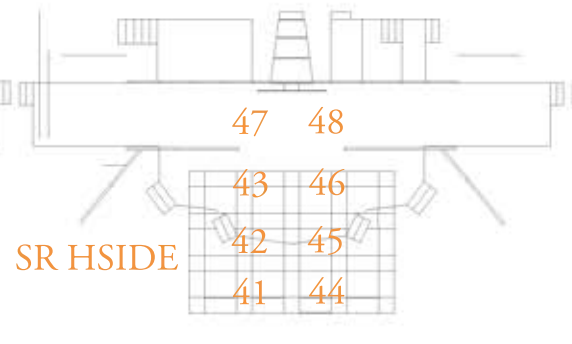
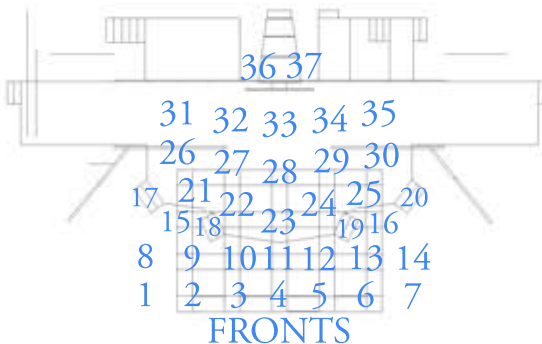
Director: Justin Braun
Scenic Designer: Brian Ruggaber
Lighting Designer: Anthony Pelecochia
Associate Lighting Designer: Zhey Smith
Assistant Lighting Designer: James Baker

SCALE: 1/4"=1"
Date: 1-21-19
Rev:

PLATE
2 of 2

BE MORE CHILL

201 202 203 204 205 206 STRIPS
211 212 213 214 215 216



- REVS -101-106
- MAC iii - 111-114
- TW1 - 132-132
- VL 500 - 141-144
- iCue - 161-164
- MAC Perf - 121-123
- MAC Wash - 151, 152
- 250 Wash - 171-174
- 250 Spot - 181-184
- Atomic - 191, 192

Haze-301, 302
LFog -311, 312

SR Wall- R501 G502 B503 Y504 O505
SL Wall- R511 G512 B513 Y514 O515
US Wall- R521 G522 B523 Y524

WEDGES - 901-915
TUNNEL - 921-924

HSE -1001
APRON -1002